

BANGLADESH CABLE SHILPA LIMITED, KHULNA

NATIONAL TENDER FOR SUPPLY, INSTALLATION, TESTING & COMMISSIONING OF 2500 KVA SUB-STATION, 1500 KVAR PFI AND BUSBAR TRUNKING SYSTEM (BBT) FOR NEW ELECTRICAL OVERHEAD CONDUCTORS, SERVICE DROP CABLE AND BARE/INSULATED WIRE MANUFACTURING PLANT ON FULL TRUN-KEY BASIS IN BCSL, KHULNA, BANGLADSH.



TENDER NO. 14.37.0000.702.07.256.18.306
DATED: 01-02-2018

Tender Receiving Date and Time : 05-03-2018 up to 11-00 Hours.
Tender Opening Date and Time : 05-03-2018 at 11-15 Hours.
Place of Receiving & Opening of Tender : Dhaka City Office, Bangladesh Cable Shilpa Limited, Nilkhet Telephone Exchange Building (1st Floor), Dhaka.

Date of Pre-bid Meeting : 13-02-2018 at 11-00 Hours.
Place of Pre-bid Meeting : Conference Room, BCSL, Khulna.

Cost of Tender Documents per set : Tk. 5,000.00 (Five thousand) only
(Non-refundable).

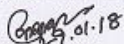
N.B: IN CASE OF ANY HOLIDAY DECLARED BY THE GOVT. OR ANY UNAVOIDABLE CIRCUMSTANCES THE TENDER WILL BE RECEIVED & OPENED ON NEXT WORKING DAY AS PER SCHEDULE TIME AS MENTIONED ABOVE.

BANGLADESH CABLE SHILPA LIMITED,
SHIROMONI INDUSTRIAL AREA,
KHULNA - 9206,
FAX NO. 880-41-785275
E-MAIL: dmpurbcs1702@gmail.com
dmmbcs@yahoo.com
WEBSITE: www.bcsl.gov.bd



Bangladesh Cable Shilpa Limited (BCSL), Khulna. Invitation for Tender (National)

1	Ministry/Division	Posts & Telecommunications Division		
2	Procuring Entity Name	Bangladesh Cable Shilpa Limited (BCSL).		
3	Procuring Entity District	Khulna		
4	Invitation for	Supply, Installation, Testing & Commissioning of 2500 KVA Sub-station, 1500 KVAR PFI and Busbar Trucking System (BBT) for New Electrical Overhead Conductors, Service Drop Cable and Bare/Insulated Wire Manufacturing Plant on full turn-key basis in BCSL, Khulna, Bangladesh.		
5	Tender Invitation Ref. No.	14.37.0000.702.07.266.18.277		
6	Date	29-01-2018.		
KEY INFORMATION				
7	Procurement Method	One Stage Two Envelops Tendering Method with National Competition.		
FUNDING INFORMATION				
8	Budget and Source of Funds	BCSL's Own Fund.		
PARTICULAR INFORMATION				
9	Tender Publication Date	Within 01-02-2018		
10	Tender Last Selling Date	04-03-2018		
		Date	Time	
11	Tender Submission Date and Time	05-03-2018	11 : 00 hours	
12	Tender Opening Date and Time	05-03-2018	11 : 15 hours	
13	Name & Address of the office(s)	Address		
	(a) Selling Tender Document (Principal)	Office of the Liaison Officer, Dhaka City Office, Bangladesh Cable Shilpa Limited, Nikhet Telephone Exchange Building (1 st Floor), Dhaka-1205, Phone No-02-9615501.		
	(b) Selling Tender Document (Others)	Cash Section, Finance & Accounts Dept., Bangladesh Cable Shilpa Ltd., Shiromoni Industrial Area, Khulna. Telephone No. 041-785603, 785236 Ext. 206		
	(c) Receiving Tender Document	Office of the Liaison Officer, Dhaka City Office, Bangladesh Cable Shilpa Limited, Nikhet Telephone Exchange Building (1 st Floor), Dhaka-1205, Phone No-02-9615501.		
	(d) Opening -Tender Document	Office of the Liaison Officer, Dhaka City Office, Bangladesh Cable Shilpa Limited, Nikhet Telephone Exchange Building (1 st Floor), Dhaka-1205, Phone No-02-9615501.		
14	Time, Date & Place of holding Pre-bid Meeting.	A pre-bid meeting will be held on 13-02-2018 at 11-00 AM in the conference room of Bangladesh Cable Shilpa Limited, Shiromoni Industrial Area, Khulna-9206.		
INFORMATION FOR TENDERER				
15	Eligibility of Tenderer	This invitation for Tender is open to all eligible Tenderers as mentioned in tender document and should meet the following pre-conditions: 1) The minimum number of years of general experience of the Tenderer in the construction works/supply of goods and related services shall be 05(five) years with having adequate experience in Construction of 33/11 KV and 11/0.4 KV Sub-stations and Bus Bar Trucking System (BBT). 2) The minimum specific experience as a Prime Contractor in Supply, installation, testing & commissioning of 33 KV & 11 KV Sub-station and Bus Bar Trucking System (BBT) of at least 2 (Two) contracts of similar nature, complexity and methods/ construction technology that have been successfully completed within the last 5 (Five) years, each with a value of at least BDT 2 (Two) Crore . 3) The required annual construction turn-over shall be more than BDT 8(Eight) Crore within last 05(five) years. 4) The minimum amount of liquid assets or working capital or credit facilities in the form of bank confirmed credit certificate already available to the Tenderer shall be BDT 2 (Two) Crore . 5) Other required eligibility criteria & conditions have been mentioned in tender document.		
16	Brief Description of Goods and related works	Supply, installation, testing & commissioning of Lightning Arrestor, Dropout Fuse, 11 KV H.T. Switchgear(1250A VCB), LT Switchgear, 2500 KVA Transformer (Oil Type), 1500 KVAR Automatic PFI Plant, 11 KV HT Cable (185 RM), 11 KV HT Cable (120 RM), Heat Shrink Kit, Earthing For Substation, approval from Bangladesh Electric Licence Board(ELB) for WZPDCL connection, 4000A/2500A/1600A Connection Unit, 4000A/2500A/1600A Standard Element, 4000A/2500A/ 1600A Elbow, 4000A/2500A/1600A BBT Coupling with Earthing, Tap-off Box with 800A/400A/200A/160A/125A/83A TP MCCB, 2500A/1250A Reducer, 1250A/1600A End Cap, BBT Hanging Materials, Design Bridge and Canopy and others.		
17	Price of Tender Document	Tk. 5,000.00 (Taka five thousand) only (non refundable) per set.		
18	Lot No.	Identification of Lot	Location	Tender Security
	1.	Supply, Installation, Testing & Commissioning of 2500 KVA Sub-station, 1500 KVAR PFI and Busbar Trucking System (BBT) for New Electrical Overhead Conductors, Service Drop Cable and Bare/Insulated Wire Manufacturing Plant on full turn-key basis.	Khulna	5,00,000.00 (Five Lac) (To be submitted along with technical offer).
				Completion Time
				Within 90 (Ninety) days from the date of Purchase Order/ Contract Agreement
PROCURING ENTITY DETAILS				
19	Name of Official Inviting Tender	Md. Alauddin Al Azad		
20	Designation of Official Inviting Tender	General Manager (Purchase & Marketing)		
21	Address of Official Inviting Tender	Bangladesh Cable Shilpa Ltd., Shiromoni Industrial Area, Khulna-9205. Phone No. 0088-041-785150, 01711402002, 785236 Ext. 221, Fax No. 0088-041-785375.		
22	Contact details of Official Inviting Tender	Foreign Purchase Section, Bangladesh Cable Shilpa Ltd., Shiromoni Industrial Area, Khulna. Phone no. 0088-041-785150, 785750, 01711402002, 785236 Ext. 221, Fax no. 0088-041-785375. Please visit our website at www.bcsl.gov.bd & CPTU Web Site: www.cptu.gov.bd & E-mail: dmpurbcsl702@gmail.com.		
23	The procuring entity reserves the right to accept or reject any or all tenders without assigning any reason whatsoever.			


 (Md. Alauddin Al Azad)
 General Manager (Purchase & Marketing)
 Bangladesh Cable Shilpa Limited.
 Khulna-9206, Bangladesh.

FORM OF ACKNOWLEDGEMENT

Bangladesh Cable Shilpa Limited,
Shiromoni Industrial Area,
P.O. Sonali Jute Mills Limited,
Khulna-9206, Bangladesh

Subject: Participation in Tender No.

.....
date.....due to for opening on

We.....
.....hereby, offer for Supply, Installation, Testing & Commissioning Of
2500 KVA Sub-Station, 1500 KVAR PFI And Busbar Trunking System (BBT) for New
Electrical Overhead Conductors, Service Drop Cable and Bare/Insulated Wire
Manufacturing Plant on turn-key basis in conformity with the specifications as enumerated
in Annexure-I. We confirm to bid for the designated item(s) at the firm price quoted in full
compliance with the terms and conditions of the attached tender documents.

A tender security in the form of Bank Guarantee/Demand Draft/Pay Order of an amount of
Tk. only has been enclosed **with technical offer**.

Very truly yours

Date:

Signature of the Tenderer/bidder
including title and capacity.

(To be filled up and signed by the Supplier/Tenderer on their letterhead pad)

TO WHOM IT MAY CONCERN

POWER OF ATTORNEY / AUTHORIZATION LETTER

SUBJECT: Tender No.

Date:

For Supply of

Dear Sir,

We, the undersigned, M/s.

.....
..... (Name and address of the
Supplier/Tenderer) being the Supplier/Tenderer of (Name of
Goods) do hereby appoint Mr.....
..... (Name and
designation) as our authorized representative for submitting bid(s) against the above
mentioned tender invited by the Bangladesh Cable Shilpa Ltd., Khulna, Bangladesh.

We also hereby authorize the said representative to submit all documents related to the
tender, negotiate and do necessary formalities with your authority as and when required
and sign the contract for and on our behalf.

Very truly yours,

.....
Signature:
Name:
Designation:

ABSTRACT OF OFFER TO BE SUBMITTED WITH TECHNICAL OFFER

(This form shall duly be filled in and submitted with technical offer)

1. If any point remains blank and not properly filled-up and word such as 'as per tender' are written, the offer shall be treated as incomplete and liable for rejection. Submitted information must be supported by proper documents from the Principal.
Points must be included in technical offer:

- i) Name of the Tenderer/Supplier with complete :
address

SI No.	Particulars	Related information
a	Name of Tenderer	
b	Tender Security Amount	
c	Tender Security No.	
d	Period of Delivery	
e	Offer Validity	

- ii) Tenderer's original technical offer shall be enclosed in triplicate with number and date :

- iii) Tenderer shall have to submit tender security (**Annexure-II**) along with **technical offer** from any schedule bank of Bangladesh stating tender security No. and date :

- iv) Certify that we have carefully gone through all instructions and terms of the tender document and accepted them in full. We have signed and sealed the necessary papers of the tender document. We enclose herewith the following documents as per requirement of the tender terms :

- a) Original receipt evidencing purchase of Tender Document :
- b) Chief Controller of Importer & Exporter (CCI&E) registration as Importer :
- c) Trade License & VAT registration certificate :
- d) E-TIN Certificate and up to date Income Tax clearance certificate :
- e) ABC Licence up to date :
- f) Valid ISO Certificate of Manufacturer and Assembler :

- g) Project Completion Certificate of Similar type of work :
- v) The tenderer shall state whether it is a Proprietorship/ Partnership firm/ Limited company and the authorised person shall sign on its/their behalf :
- vi) Any other important points/ features of the offer :

Signature and seal of the tenderer with official address and Telephone No/ Fax No/ E-mail

Date.....

BANGLADESH CABLE SHILPA LIMITED
SHIROMONI INDUSTRIAL AREA
KHULNA, BANGLADESH.

Abstract of offer for for Supply, Installation, Testing & Commissioning of 2500 KVA Sub-station, 1500 KVAR PFI and Busbar Trunking System (BBT) for New Electrical Overhead Conductors, Service Drop Cable and Bare/Insulated Wire Manufacturing Plant on full trun-key basis in BCSL, Khulna, Bangladesh.

(This form shall duly be filled in and submitted with price offer)

2. Points must be included in price offer:

- i) Name of the Principal/Supplier with complete :
address

Price Schedule for Goods and related service:

Item	Item Name	Unit/ Qty	Price in Taka		
			Unit Price	Total Price	
<u>PART-A</u>					
1	Supply of Lightning Arrestor	2 Sets			
2	Supply of Dropout Fuse	2 Sets			
3	Supply of 11 KV H.T. Switchgear(1250A VCB)	4 Nos.			
4	Supply of LT Switchgear	1 No.			
5	Supply of 2500 KVA Transformer (Oil Type)	1 No.			
6	Supply of 1500 KVAR Automatic PFI Plant	1 No.			
7	Supply of 11 KV HT Cable (185 RM)	270 M			
8	Supply of 11 KV HT Cable (120 RM)	280 M			
9	Supply of Heat Shrink Kit	14 Sets.			
10	Earthing For Substation	8 Sets.			
11	Charge of approval from Bangladesh Electric Licence Board(ELB) for WZPDCL connection. (With Govt. Fee)	1 Job			
12	Installation, Commissioning of Sub-Station Equipments & Cable Laying	1 Job			
Sub- Total (Part A)=			(BDT)		
<u>PART-B</u>				Price in Taka	
Supply of BBT					
S.N.	Item	Qty.	Unit	Unit Price	Total Price
4000A, TP+N+PE, IP55, AL BBT, Transformer to LT:					
13	4000A Connection Unit	2	PC		
14	4000A Standard Element	4	M		
15	4000A Elbow	3	PC		
16	4000A BBT Coupling with Earthing	2	Lot		
2500A/1600A/1250A, TP+N+PE, IP55, AL BBT, LT to Plant Floor :					
BBT-1					
17	2500A Connection Unit	1	PC		
18	2500A Elbow	3	PCS		

19	2500A Standard Element (Out side BBT must be IP57)	18	M		
20	Tap-off Box with 63A TP MCCB	1	PC		
21	2500A BBT Coupling with Earthing	1	Lot		
22	2500A Standard Element	27	M		
23	Tap-off Box with 800A TP MCCB	1	PC		
24	2500A/1250A Reducer	1	PC		
25	1250A Standard Element	75	M		
26	Tap-off Box with 125A TP MCCB	2	PCS		
27	Tap-off Box with 63A TP MCCB	1	PC		
28	Tap-off Box with 400A TP MCCB	1	PC		
29	Tap-off Box with 200A TP MCCB	2	PCS		
30	1250A End Cap	1	PC		
BBT-2					
31	1600A Connection Unit	1	PC		
32	1600A Standard Element (Out side BBT must be IP57)	18	M		
33	1600A Elbow	3	PCS		
34	1600A Standard Element	27	M		
35	1600A BBT Coupling with Earthing	1	Lot		
36	Tap-off Box with 200A TP MCCB	1	PC		
37	1600A Elbow	1	PC		
38	1600A Standard Element	92	M		
39	Tap-off Box with 400A TP MCCB	1	PC		
40	Tap-off Box with 63A TP MCCB	1	PC		
41	Tap-off Box with 160A TP MCCB	1	PC		
42	Tap-off Box with 200A TP MCCB	2	PC		
43	1600A End Cap	1	PC		
44	Supply of BBT Hanging Materials	1 Lot			
45	Installation, Testing & Commissioning of BBT	1 Job			
46	Design Bridge and Canopy	1 Job			
Sub- Total (Part B) =					(BDT)
Grand Total (Part A+ Part B)=					(BDT)
In word:					

N.B: 1. The tenderer must include all prices for this tender. If any item(s) is mistaken to quote before opening of tender, the tenderer will have to supply the same at free of cost with the machine. In this case, no extra cost will be entertained.

- ii) Tenderer's original proforma invoice shall be enclosed with price offer. Invoice number and date are to be stated. :
- iii) Submitted tender security **along with technical offer** No. and date :
- iv) Tenderer shall have to furnish 10% (Ten percent) performance security **(Annexure-III)** within 28(twenty eight) days from the date of receipt of Notification of Award. Confirmation of performance security is to be given :

- v) The tenderer shall state whether it is a Proprietorship/ Partnership firm/Limited company. :
- vi) Any other important points/features of the offer :

Signature and seal of the tenderer with official address
and telephone No/Fax No/ E-mail.

Date.....

INSTRUCTIONS, TERMS & CONDITIONS TO TENDERERS:

3. These instructions are intended to serve as a guideline for preparation of tender/bid.

3.1 **NOTE OF CAUTION:**

- a) Tender/Bid is being invited hereunder in accordance with national competitive bidding procedure.
- b) **Tender/Bid containing any deviation from the instructions to tenderers and the stated contractual terms and conditions, specification and any addendum related thereof, shall be treated non-responsive.**

4. **CLARIFICATIONS, INSTRUCTIONS AND INFORMATION:**

Any request for clarification of any additional information in connection with this tender or any aspects of the bid-documents must be submitted in writing well ahead of opening of the tender. If any additional information is needed, it will be furnished in writing to all prospective bidders by BCSL.

5. **SITE VISIT:**

Tenderers are advised to visit and examine the Site of Works and its surroundings and obtain for itself on its own responsibility all information that may be necessary for preparing the Tender. The costs of visiting the Site shall be at Tenderer's own expense.

6. **PRE-BID MEETING:**

6.1 To clarify issues and to answer questions on any matter arising in the Tender Document, a Pre-Bid Meeting will be held on **13-02-2018 at 11-00 AM in the Conference Room of Bangladesh Cable Shilpa Limited, Shiromoni Industrial Area, Khulna**. All potential Tenderers are encouraged and invited to attend the meeting.

6.2 Tenderers are requested to submit any questions in writing so as to reach the Procuring Entity not later than one day prior to the date of the meeting.

6.3 Minutes of the pre-Tender meeting, including the text of the questions raised and the responses given, together with any responses prepared after the meeting, will be transmitted within seven (7) working days after holding the meeting to all those who purchased the Tender document and to even those who did not attend the meeting.

6.4 Non-attendance at the Pre-Tender meeting will not be a cause for disqualification of a Tenderer.

7. **MODIFICATION OF TENDER DOCUMENT:**

Any modification, correction or clarification of tender document or extension of time for tender closing will be issued in the form of any addendum which will become a part of the tender and shall be signed by the tenderer and enclosed with the tender. Failure to do so may disqualify the offer.

8. ELIGIBILITY OF TENDERER:

- i) The minimum number of years of general experience of the Tenderer in the construction works/supply of goods and related services shall be 05(five) years with having adequate experience in Construction of 33/11 KV and 11/0.4 KV Sub-stations and Bus Bar Trucking System (BBT).
- ii) The minimum specific experience as a Prime Contractor in Supply, Installation, Testing & Commissioning of Sub-Stations of both 33 KV & 11 KV to a Govt, Semi-Govt, or Autonomous Bodies of Bangladesh of at least Two (02) contracts of similar nature, complexity and methods that have been successfully completed within the last 05(Five) years; Years counting backward from the date of publication of IFT, each with a value of at least Tk.2,00,00,000.00(Taka- Two Crore).
- iii) The required annual **construction** turnover shall be greater than Tk.8,00,00,000.00 (Taka-eight Crore) within the last 05(Five) years; Years counting backward from the date of publication of IFT.
- iv) The minimum amount of liquid assets i.e working capital or credit line(s) of the Tenderers shall be Tk. 2,00,00,000.00(Taka- Two Crore).
- v) Documents of qualifications and experience of key technical and administrative personnel proposed for contract administration and management must be submitted.

9. Personnel Capacity:

Required construction Project manager, Site manager, Site Engineer and other key staff for the construction work shall have the following qualifications and experience:

Sl. No.	Position	Total Working Experience (Overall years)	In Similar Working Experience (years)
1.	Project manager(B.Sc. in EEE/ Mechanical) (1/1 No.)	10 Years	05 Years
2.	Site Engineer (B.Sc./Diploma Engr.) Electrical/ Mechanical-(2/2Nos.)	05/10 Years	03 Years
3.	Site Engineer (B.Sc./Diploma Engr.) Civil- (1/1Nos.)	05/10 Years	03 Years
4.	Site Supervisor, Foreman, Lineman for line construction/augmentation works (04 Nos.)	05 Years	03 Years

10. Equipments Capacity:

The tenderer shall submit list of tools & equipment owned by them or have to submit evidence that they own or letter of authorization that they are assured to hire the required equipment, so that they could engage the equipment from the day of starting of the work to ensure the completion of the project within the specified completion time with the technical proposal.

11. BIDDING INSTRUCTION:

- 11.1 **One stage with two envelopes tendering method with National Competition will be strictly followed on invited tender.**
- 11.2 **Bidders will use 2(two) separate sealed envelopes; one for technical offer and the other for financial offer; and the individual envelope should be marked accordingly. Both these envelopes are to be dropped simultaneously in single envelope in the tender box.**
- 11.3 **Tender Security is to be attached with technical offer.**
- 11.4 The bid shall be submitted in triplicate. The bidder shall seal the original and each copy of the bid envelope duly marked as "Original" and copy".
- 11.5 The envelope shall be addressed to **Managing Director, Bangladesh Cable Shilpa Limited, Nilkhet Telephone Exchange Building (1st Floor), Dhaka-1205, Bangladesh.**
- 11.6 For both technical and financial offer, the envelope shall bear the tender number, the name and full mailing address of the bidder so as to enable the purchaser to return the unopened bid(s) in case it is declared late/delayed.
- 11.7 If the envelope is not properly sealed, marked and inscribed as instructed above the purchaser shall assume no responsibility for misplacement or premature opening of the bid.

12. CLARIFICATION OF BIDS:

To assist in the examination, evaluation and comparison of bids, the purchaser may at its discretion, ask the bidder for a clarification of the bid. The request for clarification and the response shall be in writing and no change of the unit price or substance of the bid shall be sought, offered or permitted.

13. PRELIMINARY EXAMINATION:

- 13.1 Arithmetical errors will be rectified on the following basis. If there is discrepancy between the unit price and total price that is obtained by multiplying the unit price and quantity, the unit price shall prevail and the total price shall be corrected. **If the supplier does not accept the correction of the errors, its bid will be rejected.** If there is a discrepancy between words and figures, the amount in words will prevail.
- 13.2 Prior to detailed evaluation, pursuant to clause-8, the purchaser will determine the substantial responsiveness of each bid. A substantially responsive bid is one which confirms to all the terms and conditions of the tender document without major and material deviation.
- 13.3 A bid determined as not substantially responsive will be rejected by the purchaser.

13.4 The purchaser may waive any minor deviation or non- conformity or irregularity in a bid which does not constitute a major and material deviation, provided such waiver does not prejudice or effect the relative ranking of any bidder.

14. EVALUATION OF THE BIDS:

14.1 The following procedures shall be applied to select the most reliable Supplier/Turn-key contractor. The Technical Bids shall be opened and evaluated first. Clarification on Technical offers will be made during evaluation of respective Bid, if necessary.

14.2 The factors which shall be considered during technical evaluation include the followings:

- i) Field proveness of sub-station, Transformer & BBT.
- ii) Experience of Tenderer in supply, installation, commissioning of similar sub-station, Transformer & BBT.
- iii) Project management and implementation plan.
- iv) Project design and engineering experience.
- v) The Bidder will provide Quality certificate of similar types of sub-station, Transformer & BBT from appropriate authority where they have supplied.
- vi) Local Training plan.
- vii) Guarantee and Warrantee.
- viii) Qualifications and experience of key technical and administrative personnel proposed for Contract administration and management
- ix) Major Construction Equipments proposed to carry out the Contract
- x) Must have local expert of the manufacturer/ Trading house for on call technical support as and when necessary.
- xi) Spare parts must available in local warehouse.
- xii) Local Supplier/Manufacturer should have ISO 9001 certification.

14.3 The bids will be finally evaluated on the following priorities:

- a) Technical responsiveness.
- b) Ease of operation & maintenance,
- c) Lowest price.

15. AMENDMENTS TO TENDER DOCUMENTS:

15.1 At any time prior to deadline for submission of bids the purchaser may, for any reason, whether of his own initiative or in response to a clarification requested by a bidder, modify the tender documents by the amendments.

15.2 The amendments will be notified in writing by fax or by e-mail to all bidders who have purchased tender documents and the same will be binding on them.

15.3 In order to allow the bidders reasonable time to take the amendment into account in preparing their bids, the purchaser may at its sole discretion extend the deadline for submission of bids.

16. PREPARATION AND SUBMISSION OF TENDER/BID :

- 16.1 Tender/bid and all supporting documents should be written in English and be submitted in triplicate (one original and two copies) in a sealed envelope to the following address : -

**Managing Director,
Bangladesh Cable Shilpa Limited,
Nilkhet Telephone Exchange Building (1st Floor),
Dhaka-1205, Bangladesh.**

Tender number and opening date should be written on the envelope.

- 16.2 Tender/bid may be sent **by post/courier service** but care must be taken to ensure that it reaches buyer's office at stipulated date and time. Late submitted tender would be returned unopened.
- 16.3 The suppliers may quote in their own letter head but it is essential that the 'Abstract of Offer' is also completed and returned to the buyer. If the same is not accordingly returned, the tender/bid may not be considered.
- 16.4 Tender/Bid should be based on BDT price;
- 16.5 The name of the manufacturer and country of origin, port of shipment (where necessary) should invariably be mentioned in the offer.
- 16.7 If the bid is made by a firm or a corporation, it shall be signed by a person authorised to make the commitment on behalf of the firm or corporation.
- 16.8 Tenderer should submit a certificate with the offer to the effect that they have gone through the instructions and the conditions as enumerated in the tender document and have agreed with them in full. As a token of such acceptance each page of the tender document must be signed by the supplier with seal and returned accordingly. In case of disagreement on any point the same must be stated clearly in a separate sheet. Tenderer must give full and detailed specification of the item(s) they like to offer. **Expression like 'as per your specification' should be avoided.**

17. CONTRACT:

The terms & conditions of the tender document shall form an integral PART OF THE CONTRACT/Purchase order document. The tenderer is requested to check this tender document in order to ensure proper compliance and the 'Form of Acknowledgement' along with the abstract of offer shall duly be filled in by the tenderer and shall be returned to the purchaser.

18. BID LANGUAGE:

The bids, all correspondences and documents shall be written in **English Language.**

19. BID CURRENCIES:

Prices shall be quoted in BDT.

20. PRICE:

- 20.1 The tenderer shall quote their price at BCSL Factory Premises basis. The purchaser shall have the right to accept or reject any offer not furnishing such break-up.

20.3 If any bidder offers any mandatory item as optional and if the Brand/Country of Origin/Quality remains the same, then tender will be evaluated by adding the quoted price of mandatory item with main offer.

20.4 No alternation of the unit price whatsoever shall be entertained during the validity or the period of enforceability of the order/contract.

21. TENDER/ BID SECURITY:

21.1 Tenderer/Bidder shall submit tender/bid security amounting to Tk. 5,00,000.00 (Taka Five Lac) only favouring Bangladesh Cable Shilpa Ltd., Khulna, either in the form of Pay Order or Demand Draft or unconditional Bank Guarantee (Annexure-II) valid for a minimum period of 120 days from the date of opening of the tender from any schedule Bank in Bangladesh along with the technical offer.

21.2 Tender/ bid security is liable to forfeiture if the tenderer whose price is evaluated as lowest fails to furnish the required performance security within 28 (twenty eight) days from the date of issuance of Notification of Award (NOA). Tender/ Bid security of unsuccessful tenderer would be returned by BCSL Management. The tender not accompanied by tender/ bid security would be treated non-responsive. Tender/bid security of the successful bidder shall be returned by BCSL on receipt of performance security from the successful bidder.

22. VALIDITY OF THE OFFER:

Price offer shall remain valid for a minimum period of **120** (One hundred and twenty) calendar days from the date of opening of the tender which may be extended for a further period if it is desired by the buyer.

23. TENDER EXPENSES:

All expenses incurred in connection with preparation, submission and delivery will be at tenderer's accounts. No claim will be entertained for refund or reimbursement of such expenses.

24. OPENING OF TENDER:

24.1 **The tenderer will have to submit both Technical offer and financial offer with separate sealed envelope. These two separate envelopes will have to give in another sealed envelope. Only the technical Offer will be opened immediately after closing of the tender in presence of the tenderers/bidders or their representatives (if any). At first, the technical offer will be evaluated by the concerned Technical Committee.**

24.2 After approval of technical evaluation report, a notice will be issued to the Technically Responsive bidder(s) mentioning the date, time and place of opening of financial offer. Financial offer of technically non-responsive bidder will be returned un-opened.

24.3 As per stipulated time, day and place in the notice, the financial offer will be opened in presence of the tenderers/bidders or their representatives (if any).

25. REVISION OF OFFERS:

After opening of financial offer, no change of unit price in the bid shall be entertained. Besides, if any bidder makes any complaint in writing stating that there is deviation in others bids and if such complaint is proved to be unfounded and false, the tender evaluation committee may recommend forfeiture of tender/bid security of the complainant and may also recommend black listing of the complainant firm in case their tender/ bid security has already been returned.

26. CAUSES OF NON-RESPONSIVENESS OF BID(S):

The bid(s) will be treated as **non-responsive** at the discretion of the buyer for the following reasons / lapses:

- 26.1 If the schedule of price and Technical specifications are not enclosed with the bid duly filled in, signed and sealed.
- 26.2 If tender/ bid security in proper form and in requisite amount is not submitted with the tender/bid.
- 26.3 If the amount and validity of tender/ bid security do not conform to the requirement of the tender inquiry.
- 26.4 If the original official money receipt evidencing purchase of tender documents is not furnished with the tender / bid.
- 26.5 If the tenderer / bidder makes any addition or alteration to his price, specification or any other terms and conditions of his tender / bid after opening of tender.
- 26.6 If each and every page of the tender document both for technical & financial offer including the General conditions is not signed and sealed by the tenderer / bidder as a confirmation of their acceptance of the tender terms.
- 26.7 **If any bidder mistakes to mention any mandatory item in their tender or any information regarding mandatory item when it is found after opening of financial offer, the bidder must supply this item without extra cost within their quoted price. Otherwise, tender will be considered as Non-Responsive.**

27. SPECIAL CONDITIONS:

- 27.1 No conditional tender / bid shall be accepted, unless relevant to the nature of the item or its trade conventions and practices.
- 27.2 Tender /bid shall be signed by a person who has authority to enter into contract with the purchaser. If it is detected afterwards that the person signing the bid or documents forming part of the contract had no authority to do so; the purchaser may, without prejudice and other civil and criminal remedies, cancel the contract, forfeit the tender/ bid security /performance security and hold the signatory liable for all costs and damages.
- 27.3 A certificate from the manufacturer (where necessary) will have to be submitted with Technical offer stating that they will manufacture goods of tender and execute the order contract on behalf of the supplier/contractor.
- 27.4 Schedule of price and specifications duly completed, signed and sealed shall form an integral part of the bid.

- 27.5 The Purchaser reserves the right to accept any item or group of items against this tender.
- 27.6 The tenderer/bidder must enclose with his bid the original money receipt evidencing purchase of tender document.

28. NOTIFICATION OF AWARD (NOA):

The buyer may award NOA to the successful tenderer / bidder whose bid is substantially responsive and has been determined as the lowest evaluated bid amongst the technically accepted Tenderers / bidders.

29. PERFORMANCE SECURITY:

- 29.1 The successful tenderer / bidder shall be required to furnish a performance security to the extent of **10% (Ten percent)** of the total contract price in the form of an unconditional irrevocable Bank Guarantee executed by any schedule Bank of Bangladesh as enclosed (**Annexure-III**).
- 29.2 The performance security shall have to be valid for a period of 6 (six) months from the date of successful trial-run of the project and extendible for a further period, if required by the buyer.
- 29.3 Performance security must be furnished and a bi-lateral agreement is to be signed within **28 (twenty eight)** days from the date of issuance of Notification of Award.
- 29.4 Performance security shall be en-cashed and forfeited if the supplier fails to supply goods of tender and complete the contracted work in time or commits any breach of contract.

30. QUALITY CERTIFICATE:

Tenderer shall furnish **guarantee from the original manufacturers** to the effect that the machineries & equipment is of first party origin, first class workmanship and will be of exact specifications as laid down in the tender document (**Annexure-I**) and in the event of placing order to the tenderer, the manufacturer will supply Sub-Station, PFI, BBT & Related equipment to the tenderer against the tender. Tenderer, for all purpose, shall be responsible for the act of omission and commission of Principal. The tenderer / bidder shall also guarantee the quality of Sub-Station, PFI, BBT & Related equipment.

31. UNDERTAKING.

The supplier undertakes that if any defect is found in any stage of the project (supply, installation, testing, commissioning & trial-run), the said defect of the Sub-Station, PFI, BBT & Related equipment shall be rectified by replacing at their cost and responsibility.

32. TAXES AND OTHER CHARGES:

All VAT and taxes will be deducted from your bill as per government law.

33. TERMS OF PAYMENT:

- 33.1 **50% of the contract price** will be paid after satisfactory delivery of total equipments of sub-station & BBT. Following are to be submitted with the bill in this regards:

- i. Three (03) copies of the suppliers invoice showing the description of the goods, quantity, unit price and total amount.
 - ii. "Original delivery Challan of supplied Equipment" must be received by BCSL Maintenance and Construction Department and a notation on delivery challan with the receipt signature, name designation and date.
 - iii. Proof of receipt of list of submitted papers by the authorized Engineer of BCSL Maintenance and Construction Department with proper signature
 - iv. Clearance note from BCSL Maintenance and Construction Department that the total equipments of sub-station and BBT are delivered.
 - v. Three (03) copies delivery notes, truck receipt.
 - vi. Three (03) copies Manufacturer's or Suppliers Warranty Certificate.
 - vii. Three (03) copies of Certificate of origin.
 - viii. Three (03) copies of load test certificate for Transformer.
 - ix. Three (03) copies of test certificate for equipments of Sub-station, PFI and BBT as per demand.
- 33.2 **Next 40% of the contract price** will be paid after satisfactory of installation, commissioning works along with submission of ELB (Electric Licensing Board) Certificate.
- 33.3 **Next 10% of the contract price** will be paid after three months from the date of successfully commissioning with a clearance note from BCSL Maintenance and Construction Department.
- 33.4 No advance payment will be made against work order.
- 33.5 Partial Payment against partial delivery is allowed.
34. DELIVERY PERIOD:
All Delivery of goods and related service shall have to be completed within **90 (Ninety)** days from the date of work order/Contract Agreement. However, early delivery is preferable.
35. BREACH OF CONTRACT:
On any breach of contract by the supplier, the buyer shall have the right to recover the actual loss suffered and the amount may be realised by encashing the performance security. When performance security (PS) will not cover the loss, the balance amount will be claimed upon the seller for payment.
36. PATENT RIGHT:
The supplier shall indemnify the purchaser against all third party claims of infringement of patent, trade mark or industrial design rights arising from use of the machineries & equipment or any part thereof in the purchaser's country.
37. GUARANTEE & WARRANTY:
37.1 The supplier must warrant that Sub-station, PFI, BBT and related components supplied under the contract shall be new, unused and of the most recent or the current model and that they incorporate all recent improvement, in design and materials unless provided otherwise in the contract. The supplier further must warrant that Sub-station and BBT

component supplied under this contract shall have no defect arising from design, materials or workmanship (except in so far as the design or material is required by the purchaser's specifications) or from any act or omission of the supplier, that may develop under normal use of the supplied Sub-station and BBT component in the conditions prevailing in the country of final destination.

37.2 **This warranty shall remain valid for 18 (eighteen) months after the final acceptance of the Sub-station, PFI, BBT and related components.**

37.3 The Purchaser shall promptly notify the supplier in writing of any claim(s) arising under this warranty for rectification or replacement at free of cost.

37.4 Upon receipt of such notice, the supplier shall, with all reasonable speed, repair or replace the defective Sub-station and BBT component without costs to the purchaser.

37.5 If the supplier, having been notified, fails to remedy the defect(s) within a reasonable period, the purchaser may proceed to take such remedial action as may be necessary, at the supplier's risk and expense and without prejudice to any other rights which the purchaser may have against the supplier under the contract.

38. LIQUIDATED DAMAGE:

38.1 Liquidated damage equivalent to half percent per week or part thereof on the value of the undelivered components of Sub-station, PFI, BBT and uncompleted related works may be realised from the supplier/contractor.

38.2 In specific cases where delay in delivery is likely to cause dislocation of work and financial loss, a higher rate of liquidated damage not over 1 %(one percent) up to 3(three) months delay and 1/2% (half percent) for the period beyond 3(three) months of delay per week or part thereof on the value of undelivered part and uncompleted related works may be charged.

38.3 In case of delay in delivery beyond one hundred calendar days for importable item(s), purchase order/contract may be cancelled in which case the performance security shall be en-cashed and forfeited.

38.4 On genuine reasons/grounds beyond the control of the suppliers/ contractor, extension of delivery period may, however, be granted without realization of any liquidated damage provided validity of their performance security covers such extension.

39. WORKMAN'S COMPENSATION:

Workman's compensation, if any, for employment of labours for completion of works will be borne by the contractor/Supplier.

40. TO WORK AS COMPLETE SYSTEM:

Any omission of parts/components/material required for satisfactory operation of Sub-station and BBT is to be made-up by the contractor/supplier at their own cost and responsibility.

41. Tenderer shall mention in their offer the name of firms & countries where this type of Sub-station and BBT has been supplied.

42. ARBITRATION AND SETTLEMENT OF DISPUTES:

In the event of any dispute arising out of the terms of this contract the parties undertake to make every effort to reach at an amicable settlement.

- (1) Except as otherwise provided in this contract, if any difference, dispute or question arising out of or with reference to this contract which cannot be settled amicably shall within 60(sixty) days from the date that either party informs them in writing that such difference, dispute or question exists be referred to arbitration of 03(three) arbitrators.
- (2) Within 60(sixty) days of the said notice, one arbitrator shall be nominated in writing by BCSL and one arbitrator shall be nominated in writing by the tenderer / supplier. The third arbitrator who shall preferably be a retired Judge of one of the High Courts or the Supreme Court of Bangladesh shall be nominated by the two arbitrators before entering upon the reference within one month from the latest date of their respective appointments. The arbitration tribunal shall have its seat in Bangladesh.
- (3) The arbitration shall be conducted in accordance with the rules and procedures set forth in the Bangladesh Arbitration Act 1940 as subsequently amended. The award of the majority of the arbitrators shall be final and binding on *both parties*.
- (4) Each party shall bear the cost of its own arbitrator and the cost of the third arbitrator shall be borne equally by both parties.
- (5) In the event of an arbitrator resigning or becoming incapable or unable to act, the party nominating such arbitrator shall be entitled to appoint another in the place of the outgoing arbitrator, proceedings shall continue without recommencing as if such arbitrator had been originally nominated.
- (6) The court may on an application made to it, nominate an arbitrator for a party' who fails to do so.
- (7) If the two arbitrators cannot reach an agreement on the nomination of the third arbitrator, then the third arbitrator will be nominated by the, President of the International Chamber of Commerce.

43. **BANGLADESH CABLE SHILPA LIMITED IS NOT BOUND TO ACCEPT THE LOWEST TENDER / BID AND RESERVES THE RIGHT TO REJECT ANY OR ALL TENDERS WITHOUT ASSIGNING ANY REASON WHATSOEVER.**

(Md. Alauddin Al Azad)
General Manager (P&M.)
Bangladesh Cable Shilpa Ltd., Khulna

ANNEXURE-I

TECHNICAL SPECIFICATION FOR SUPPLY, INSTALLATION, TESTING & COMMISSIONING OF 2500 KVA SUB-STATION, 1500 KVAR PFI AND BBT FOR ELECTRICAL OVERHEAD CONDUCTOR CABLE, SERVICE DROP CABLE AND BARE/INSULATED WIRE MANUFACTURING PLANT ON FULL TRUN-KEY BASIS IN BCSL, KHULNA, BANGLADSH.

The Work shall be carried out as per direction/approval/acceptance of the Engineer-in-Charge.

Part-A

Sl. No	BCSL Requirements		To be provided by the Tenderer		
	Specifications	No of Unit	Specifications	Country of Origin	Name of Manufacturer
01.	<p>Lightning Arrester as per specifications stated below :</p> <p>Technical Specification :</p> <p>Rated Voltage (RMS) : 11 kV</p> <p>Rated System voltage : 12 kV</p> <p>Frequency : 50 Hz</p> <p>Minimum Spark Over (RMS) : 14 kV</p> <p>Maximum Spark Over (RMS) : 40 kV</p> <p>Maximum Impulse Spark (Crest) : 45 kV</p> <p>Withstand Voltage Wet , 10 sec. : 24 kV</p> <p>Dry , 1 min. : 28 kV</p> <p>Discharge 33 kV (Crest) : 5 kA</p> <p>Impulse Current Withstand : 55 kA</p> <p>(3 Nos. In a set).</p> <p>Manufactured by GEM Co. LTD. Bangladesh or equivalent product of India/China/Singapore/Taiwan</p> <p>Country of Origin, Name of Manufacture & Assembly: To be mentioned by the bidder</p>	02 (Two) Sets			
02.	<p>Drop Out Fuse as per specifications stated below :</p> <p>Technical Specification :</p> <p>Rated Voltage (Nominal) : 11 kV</p> <p>Rated Maximum Voltage : 15 kV</p>	02 (Two) Sets			

	<p>Rated Frequency : 50 Hz B I L : 75 kV Rated Current RMS : 100 A Interrupting Current RMS : 10 kA Withstand Test Voltage Dry , 1 Min. : 35 kV Wet , 10 sec. : 30 kV</p> <p>(3 Nos. In a set).</p> <p>Manufactured by GEM Co. LTD. Bangladesh or equivalent product of India/China/Singapore/Taiwan</p> <p>Country of Origin, Name of Manufacture & Assembly: To be mentioned by the bidder</p>				
03.	<p>Incoming 11kV HT SWITCHGEAR (1250A VCB) as per specifications stated below :</p> <p>This specification covers the supply of 11kV indoor, metal enclosed switchgear according to IEC publication-298. The medium voltage switchgear panel (14 SWG) shall be used for secondary distribution sub-station up to 12kV & suitable for an ambient temperature of 45 °C and rated rupture capacity of 350 MVA complete with all accessories, diagrams, levels, wirings & terminals. The 11 kV, 350 MVA rated switchboard would comply compulsory electricity regulations by standards. All cubicles are fitted with security interlocks and earthing switch. The erection of the panel can be done directly on the levelled floor. Cable trenches are necessary. Cables can be easily installed from the bottom side of the panel. The design is done to allow safe operation in extremely tropical climate conditions :</p> <p>Technical Data : Service voltage : 11kV Rated voltage : 12kV Rated current of bus bars : 1250A Rated current of circuit breaker : 1250A</p> <p>Insulation level : Impulse withstand voltage 1.2/50 □-sec : 75kV (Peak) Power frequency withstands voltage/1 min: 28kV (rms).</p>	04 (Four) Sets			

<p>The equipment proposed under this offer has been designed, manufactured and tested in accordance with the applicable IEC standards.</p> <p>The switchgear panels shall comprise of :</p> <p>1 No. 1250 A, 12 KV, breaking current 25KA (3 sec.), making current 50KA, 50 Hz, TP Vacuum Circuit Breaker (Fixed type) with motor operated mechanism with closing solenoid shunt releases, auxiliary contacts 5NO+ 5NC and limit switch (1NO + 1NC) for indication "Closing spring charged". Mechanical on/off/trip indicator.</p> <p>Brand: ABB/Siemens/Schneider or Equivalent.</p> <p>Country Of Origin: To be mentioned by the bidder</p> <p>2 Nos. Cast resin insulated, double pole, Potential Transformer, ratio: 11/.11KV, Class 0.5, 50 VA, (in open delta connection).</p> <p>Brand: ABB/Siemens/Schneider or Equivalent.</p> <p>Origin: To be mentioned by the bidder</p> <p>1 No. MCB of adequate rating for PT Secondary protection.</p> <p>Brand: ABB/Siemens/Schneider or Equivalent.</p> <p>Origin: To be mentioned by the bidder</p> <p>3 Nos. Cast resin insulated, 11 KV dry type double core CT with Ratio: 150/5/5A, 1st core for metering, 2nd for protection. Core 1 : 10 VA, Class 0.5M5 Core 2 : 15 VA, Class 10P10</p> <p>Brand: ABB/Siemens/Schneider/ Sadtem or Equivalent.</p>				
---	--	--	--	--

<p>Origin: To be mentioned by the bidder</p> <p>3 Nos. Ammeter, 0 - 150 A. Type& Origin: To be mentioned by the bidder</p> <p>1 No. Voltmeter, 0 - 15 KV, with selector switch Type& Origin: To be mentioned by the bidder</p> <p>1 No. Triple pole IDMT solid state type Relay for over current, earth fault and short circuit protection.</p> <p>Relay - Brand: ABB/Siemens/Schneider/ Mikro or Equivalent.</p> <p>Origin: To be mentioned by the bidder</p> <p>2 Nos. ON and OFF/TRIP Push Button 5 Nos. Indicating Lamps (ON/OFF/TRIP/CHARGED/AC AVAILABLE) 1 No. Panel Heater</p> <p>Protection, Measurement and control unit :</p> <p>1 Protection Unit :</p> <ul style="list-style-type: none"> - Over current (ANSI code 50/51) protection. - Earth fault (50N/51N) protection. - 1 reset key to clear faults and to reset. - 1 Connection port for the RS232 link with the PC. <p>The tripping characteristics of the protection unit shall be of IDMT nature with a setting possibility to various IDMT Tripping curves.</p> <p>Brand: ABB/Siemens/Schneider or equivalent.</p> <p>Country of Origin & Manufacture: EU/Japan/USA/UK/Malaysia or equivalent.</p> <p>Assembly: Energypac / Adex or equivalent.</p>				
---	--	--	--	--

	<p>(Note: Two (02) Incoming VCBs will be Electrically Interlocked and others as per Attached single line diagram)</p> <p>Manufacturer's Authorization Letter & Quality Certificate should be provided.</p>				
04.	<p>LT SWITCHGEAR as per specifications stated below :</p> <p>Sheet steel clad, 16SWG Powder Coated dust and vermin proof, free standing, floor mounting type, 415V,50 Hz, indoor type Low Tension Switchgear with hard drawn copper busbars, TPN&E equipped with:</p> <p><u>INCOMING :</u></p> <p>1 No. 4000A, 66 KA, TP automatic fixed type ACB with stored-energy motor charged operating mechanism having special features: (For WZPDCL)</p> <p>i) Microprocessor controlled adjustable thermal overload, adjustable electromagnetic short circuit releases. ii) Electronic trip unit with DIP Switch setting PR121/P which has operation without the need for an external power supply iii) Protection function :</p> <p>L : Protection against overload with inverse long time delay trip. I : Protection against instantaneous short circuit with adjustable trip current threshold.</p> <p>3 Nos. Current Transformer, ratio: 4000/5A with suitable accuracy and burden. 3 Nos. Ammeter, 0 - 4000 A 1 No. Voltmeter, 0 - 500 V with selector switch 3 Nos. Phase Indicating Lamp Type& Origin: To be mentioned by the bidder</p>				

<p>1 No. 1600A, 66 KA, TP automatic fixed type ACB with stored-energy motor charged operating mechanism having special features: (For Generator coupling with WZPDCL)</p> <p>i) Microprocessor controlled adjustable thermal overload, adjustable electromagnetic short circuit releases. ii) Electronic trip unit with DIP Switch setting PR121/P which has operation without the need for an external power supply iii) Protection function : L : Protection against overload with inverse long time delay trip. I : Protection against instantaneous short circuit with adjustable trip current threshold.</p> <p>3 Nos. Current Transformer, ratio: 1600/5A with suitable accuracy and burden. 3 Nos. Ammeter, 0 - 1600 A 1 No. Voltmeter, 0 - 500 V with selector switch 3 Nos. Phase Indicating Lamp</p> <p>Brand: ABB/Siemens/Schneider or equivalent.</p> <p>(Note: Both the above Incoming 4000A and 1600A ACBs will be Electrically Interlocked.)</p> <p>Type& Origin: To be mentioned by the bidder</p> <p><u>OUTGOING:</u> 1 No. 2500A, 66 KA, TP automatic fixed type ACB with stored-energy motor charged operating mechanism having special features: For BBT1</p> <p>i) Microprocessor controlled adjustable thermal overload, adjustable electromagnetic short circuit releases. ii) Electronic trip unit with DIP Switch setting PR121/P which has operation without the need for an external power supply iii) Protection function :</p>				
--	--	--	--	--

<p>L : Protection against overload with inverse long time delay trip. I : Protection against instantaneous short circuit with adjustable trip current threshold.</p> <p>3 Nos. Current Transformer, ratio: 2500/5A with suitable accuracy and burden.</p> <p>3 Nos. Ammeter, 0 - 2500 A 1 No. Voltmeter, 0 - 500 V with selector switch 3 Nos. Phase Indicating Lamp</p> <p>Brand: ABB/Siemens/Schneider or equivalent.</p> <p>1 No. 1650A, 66 KA, TP automatic fixed type ACB with stored-energy motor charged operating mechanism having special features: For BBT2</p> <p>i) Microprocessor controlled adjustable thermal overload, adjustable electromagnetic short circuit releases. ii) Electronic trip unit with DIP Switch setting PR121/P which has operation without the need for an external power supply iii) Protection function : L : Protection against overload with inverse long time delay trip. I : Protection against instantaneous short circuit with adjustable trip current threshold.</p> <p>3 Nos. Current Transformer, ratio: 1650/5A with suitable accuracy and burden.</p> <p>3 Nos. Ammeter, 0 - 1650 A 1 No. Voltmeter, 0 - 500 V with selector switch 3 Nos. Phase Indicating Lamp</p> <p>Brand: ABB/Siemens/Schneider or equivalent.</p> <p>1 No. 2500A, 66 KA, TP automatic fixed type ACB with stored-energy motor charged operating mechanism having special features: (For PFI)</p> <p>i) Microprocessor controlled adjustable thermal overload, adjustable</p>				
---	--	--	--	--

	<p>electromagnetic short circuit releases.</p> <p>ii) Electronic trip unit with DIP Switch setting PR121/P which has operation without the need for an external power supply</p> <p>iii) Protection function :</p> <p>L : Protection against overload with inverse long time delay trip.</p> <p>I : Protection against instantaneous short circuit with adjustable trip current threshold.</p> <p>1 No. 100 A, TP MCCB with adjustable thermal overload and adjustable magnetic short-circuit releases.</p> <p>Brand: ABB/Siemens/Schneider or equivalent.</p> <p>Country of Origin & Manufacturer: EU/Japan/USA/ UK or equivalent.</p> <p>Assembly: Energypac / Adex or equivalent.</p> <p>Manufacturer's Authorization Letter & Quality Test Certificate should be provided.</p>				
05.	<p>TRANSFORMER - 2500KVA</p> <p>3 Phase oil immersed, naturally air cooled Transformer according to VDE/IEC/DIN/BSS standard with 3HT Buhsings and 4 LT Bushings arranged on tank top, conservator, oil level indicator, drain and filling valves, lifting lugs, bi-directional rollers, with first filling of oil in Transformer.</p> <p>Technical Data:</p> <p>Rated Capacity : 2500 KVA</p> <p>Rated Frequency : 50 Hz</p> <p>Rated Voltage,</p> <p>-Primary : 11000 V</p> <p>-</p> <p>Secondary : 415 V</p> <p>Rated Current</p> <p>-Primary : 131.25 A</p> <p>-</p> <p>Secondary : 3477.5 A</p> <p>Vector Group : Dyn 11</p> <p>Off-load tap : $\pm 2.5\%$, 0, -5%, -changer 7.5%</p> <p>Ambient : 40°C</p>	01 Pc			

<p>Temperature Temperature rise :</p> <p>- in Oil : 60°C (Max) - in Coil : 65°C (Max)</p> <p>Star point brought out & loadable upto : 100%</p> <p>Max. service altitude : 1000 Meters</p> <p>Installation : Indoor/outdoor</p> <p>No load losses : 1730 W</p> <p>Full load losses : 29125 W</p> <p>Impedence : 6% (approx)</p> <p>Tolerances, As per IEC 60076:</p> <p>Total : + 10% of the total Losses losses</p> <p>Component : + 15% of each losses component loss, provided that the tolerance for total losses is not exceeded</p> <p>Impedance ± 10% of the voltage at rated declared current</p> <p>(principal impedance voltage tapping for that tapping.</p> <p>Accessories:</p> <p>- Silicagel breather - Thermometer - Bucholz relay</p> <p><u>Origin:</u></p> <p>Core : <i>Kawasaki, Japan or Equivalent.</i></p> <p>Copper Strip : <i>Korea/Singapore or Equivalent.</i></p> <p>Insulation Materials : <i>India/ Switzerland or Equivalent.</i></p> <p>Transformer Oil : <i>India/Dubai /Korea/Malaysia or Equivalent.</i></p> <p>Super Enamelled Copper Wire : <i>Gazi Wires., Bangladesh or Equivalent</i></p>				
--	--	--	--	--

	<p>Assembled by the valid ISO-9001 certified company having test certificate according to relevant IEC standards from BUET/CUET/ KUET/ RUET.</p> <p>Manufacturer :Energypac/Adex by /A.E.G or Equivalent.</p>				
06.	<p><u>1500 KVAR AUTOMATIC PFI PLANT</u> as per specifications stated below :</p> <p>Sheet steel clad powder coated (16 SWG), dust and vermin proof, free standing, floor mounting, 415V, 50 Hz, 1500 KVAR Indoor type Automatic Power Factor Improvement Plant, comprising:</p> <p>1 No. 25 KVAR Bank of TP dry type Power Capacitors with built-in discharge resister (direct)</p> <p>1 No. 25 KVAR Bank of TP dry type Power Capacitors with built-in discharge resister.</p> <p>1 No. 50 KVAR Bank of TP dry type Power Capacitors with built-in discharge resister</p> <p>6 Nos. 100 KVAR Bank of TP dry type Power Capacitors with built-in discharge resister</p> <p>4 No. 200 KVAR Bank of TP dry type Power Capacitors with built-in discharge resister</p> <p>Brand: Circutor/ABB/Siemens /Electronic/Schneider.</p> <p>1 No. Automatic Power Factor Correction Relay Origin : Circutor/Micro or Equivalent</p> <p>12 Nos. TP Magnetic Contactors of adequate rating</p> <p>Brand: Schneider Electric/ABB /Siemens</p> <p>13 Nos. MCCB of adequate rating</p>				

	<p>Brand: Schneider Electric/ABB /Siemens</p> <p>12 Nos. Indicating Lamps 1 Set of Control fuses</p> <p>Manufacturer's Authorization Letter & Quality Test Certificate should be provided.</p> <p>Assembled by the valid ISO-9001 certified company having test certificate according to relevant IEC standards from BUET/CUET /KUET/ RUET.</p>				
07.	<p>11 KV HT CABLE as per specifications stated below :</p> <p>Size: 3x185 RM, between incoming line to meter room.</p> <p>Type: 2xSEYFGY as per IEC 60502-2 standard</p> <p>XLPE Insulated, Semi-conducting Layer Over Each Conductor & Insulation, Copper Shield Over Each Individual Core, PVC Inner Sheathed, Flat Steel Wire Armoured, PVC Sheathed. Suitable for indoor, outdoor, underground and in water for continuous permissible service voltage of 6.35/11 KV. Color of Sheath: Red.</p> <p>Origin: BBS/BRB/ Paradise/Eastern Manufacturer's Authorization Letter & Test Certificate should be provided.</p> <p>With (11KV) XLPE insulated, PVC sheathed armoured Cables Manufactures must have valid test certificate from internationally accredited laboratory (Like CPRI, KEMA etc) accepted/approved by the Engineer</p>	270 meter			
08.	<p>11 KV HT CABLE as per specifications stated below :</p> <p>Size: 3x120 RM, between Meter room to Sub-Station.</p>	280 meter			

	<p>Type: 2xSEYFGY as per IEC 60502-2 standard</p> <p>XLPE Insulated, Semi-conducting Layer Over Each Conductor & Insulation, Copper Shield Over Each Individual Core, PVC Inner Sheathed, Flat Steel Wire Armored, PVC Sheathed. Suitable for indoor, outdoor, underground and in water for continuous permissible service voltage of 6.35/11 KV. Color of Sheath: Red.</p> <p>Origin: BBS/BRB/ Paradise/Eastern</p> <p>Manufacturer's Authorization Letter & Test Certificate should be provided.</p> <p>With (11KV) XLPE insulated, PVC sheathed armoured Cables Manufactures must have valid test certificate from internationally accredited laboratory (Like CPRI, KEMA etc). accepted/approved by the Engineer</p>				
09.	<p>HEAT SHRINK KIT: Supply & fixing of heat shrink termination kit out-door/in-door use complete with DIN lugs earth connection hardware & cable preparation kit (In-door & outdoor) at the point of cable termination for 11 KV 3-core XLPE insulated, PVC sheathed armoured Cables of the above sizes.</p> <p>(Made in GERMANY/USA/UK/France/JAPAN/ITALY/SWEDEN/SWITZERLAND Prequalified accepted/approved by the Engineer).</p>	14 Sets			

Sl. No.	BCSL Requirements	No. of Unit	To be provided by the Tenderer
	Specifications		Specifications (Tools and Accessories)/Remarks
10	<p><u>Earthing of Substation:</u></p> <p>EARTHING BLOCK:</p> <p>Supply, Installation, Testing and commissioning of 0</p>	08 (Eight) Sets	

	<p>Nos. copper earthing block with required Nos. of ¼ hole for ECC connection, Size-254mm x 40mm x 10mm. One for transformer neutral and another for all substation equipments ECC connections.</p> <p>EARTH ELECTRODE:</p> <p>Supply & Installation of 20 feet length 1” dia GI pipe buried upto depth of 120 feet in the damp soil including 0SWG Copper wire from bottom of GI pipe upto ground level.</p> <p>EARTHING LEAD:</p> <p>Supply and installation of earthing lead, 0SWG copper wire through 1” dia PVC pipe (if required) from earthing block to earth electrode.</p> <p>EARTH CONTINUITY CONDUCTOR:</p> <p>Installation of 0SWG copper earth continuity conductor running from the bodies of substation equipments to the earthing block.</p>		
11	Charge of approval from Bangladesh Electric Licence Board(ELB) for WZPDCL connection.(With Govt. Fee) (To be enclosed voucher along with the bill)	1 Job	
12	<p>Installation, Commissioning of Sub-Station Equipments and Cable Laying:</p> <p><u>11 KV HT SWITCHGEAR</u></p> <p>Installation, testing and commissioning of 11 KV HT panel including supply of consumables like</p> <ul style="list-style-type: none"> - Angle frame - Cable support - Controll cable & etc. <p><u>TRANSFORMER</u></p> <p>Installation, testing and commissioning of Transformer including supply of consumables like</p> <ul style="list-style-type: none"> - Angle frame - Cable support - U-channels - Performing oil test & etc. <p><u>LT SWITCHGEAR</u></p> <p>Installation, testing and commissioning of 415V LT panel including supply of consumables like</p> <ul style="list-style-type: none"> - Angle frame 	1 Job	

	<ul style="list-style-type: none"> - Cable support - Controll cable - U-channels & etc. <p>PFI PLANT</p> <p>Installation, testing and commissioning of PFI Plant including supply of consumables like</p> <ul style="list-style-type: none"> - Angle frame - Controll cable - U-channels & etc. <p><u>CABLE LAYING</u></p> <p>Cable laying of (11KV) XLPE insulated, PVC sheathed armoured Cables: All electrical contacts shall be of brass/copper connected through connector of soldering (no twisting shall be allowed) and cables shall be manufactured and tested according to relevant IECBDS/BS/VDE standards and as per detailed specification mentioned in sl no. 7 & 8.</p> <p>In earth excavation by cutting 45.70 cm width 91.40 cm depth trench with necessary brick or tile protection and mending the damages good by refilling trench with proper compaction.</p> <p>In dismantling (RCC/CC) ground/road through required size of PVC pipe (Grade E) by cutting 45.70cm width x 91.40 cm depth trench mending good the damages by earth refilling with proper compaction providing 50 mm thick compacted premix bituminous carpeting over one layer of 1st class flat brick soling and 75 mm thick compacted water bound macadam of khoa of brick.</p> <p>The work shall be carried out as per direction/approval/acceptance of the Engineer.</p> <p>Survey the total length of cable before installation of wire. As per actual site measurement the cable length will be fixed.</p> <p><u>Others</u>: If any (Cable stand HT/LT, PG Clamp, Earthing bar, cross arms, PVC tape, PIB tape, Cable Lugs, Tie, etc.)</p>		
--	---	--	--

PART-B

BCSL Requirements	To be provided by the Tenderer		
Specifications	Specifications	Country of Origin	Country of Manufacturer
<p>TECHNICAL SPECIFICATION OF BBT SYSTEM: Low impedance, low reactance, factory assembled, type tested, totally enclosed, non-ventilated, Bi-metal silver plated Copper contact bus way system conforming to following data.</p> <p>Type : Sandwich Standard : IEC 61439-6 & EN 60439-2 KEMA/DEKRA, UL, Siesmic Tested ISO 9001</p> <p>Conducting material : Bi-metal silver plated copper contact Insulation : Mylar PVC (Class-B, 130 deg C) Busbar Shell : Pre-painted galvanized sheet steel</p> <p>Colour : RAL 7032 or Approved Colour (as IEC)</p> <p>No of phases : 3 Phase + 100% Neutral</p> <p>Earthing Rated Insulation Voltage : As Enclosure :1000V AC</p> <p>Rated voltage : 415V - 1000V AC</p> <p>Rated current : 4000A, 2500A , 1600A & 1250A</p> <p>Frequency : 50Hz</p> <p>Max ambient temperature : 45°C</p> <p>Protection Rated impulse : IP 55 & IP57 : 3.5KV</p>			

<p>voltage</p> <p>Breakers in tap off Box : ABB, Italy or equivalent</p> <p>Brand: Siemens/ Schneider Electric/ EPE/ Energypac-Euro or Equivalent</p> <p>Country of Origin, Manufacture & Assembly: EU/Japan/USA/UK/Italy/France/Malaysia</p> <p>Manufacturer's Authorization Letter & Type Test Certificate should be provided.</p>			
---	--	--	--

13. Supply of BBT				To be provided by the Tenderer	
S.N.	Item	Qty.	Unit	Qty	Unit
4000A, TP+N+PE, IP55, AL BBT, Transformer to LT:					
1	4000A Connection Unit	2	PCS		
2	4000A Standard Element	4	M		
3	4000A Elbow	3	PCS		
4	4000A BBT Coupling with Earthing	2	Lots		
2500A/1600A/1250A, TP+N+PE, IP55, AL BBT, LT to Plant Floor :					
BBT-1					
5	2500A Connection Unit	1	PC		
6	1600A Elbow	2	PCS		
7	2500A Standard Element (Out side BBT must be IP57)	18	M		
8	Tap-off Box with 63A TP MCCB	1	PC		
9	2500A BBT Coupling with Earthing	1	Lot		
10	2500A Standard Element	27	M		
11	Tap-off Box with 800A TP MCCB	1	PC		
12	2500A/1250A Reducer	1	PC		
13	1250A Standard Element	75	M		
14	Tap-off Box with 125A TP MCCB	2	PC		
15	Tap-off Box with 63A TP MCCB	1	PC		
16	Tap-off Box with 400A TP MCCB	1	PC		
17	Tap-off Box with 200A TP MCCB	2	PC		
18	1250A End Cap	1	PC		
BBT-2					
19	1600A Connection Unit	1	PC		
20	1600A Standard Element (Out side BBT must be IP57)	18	M		
21	1600A Elbow	3	PCS		
22	1600A Standard Element	27	M		
23	1600A BBT Coupling with Earthing	1	Lot		
24	Tap-off Box with 200A TP MCCB	1	PC		

25	1600A Elbow	1	PC		
26	1600A Standard Element	92	M		
27	Tap-off Box with 400A TP MCCB	1	PC		
28	Tap-off Box with 63A TP MCCB	1	PC		
29	Tap-off Box with 160A TP MCCB	1	PC		
30	Tap-off Box with 200A TP MCCB	2	PCS		
31	1600A End Cap	1	PC		
32	Supply of BBT Hanging Materials	1	Lot		
33	Installation, Testing & Commissioning of BBT	1	Job		
34	Design Bridge and Canopy	1	Job		

N.B: After Completion of the work bill will be paid on actual measurement basis.

Supply, Installation, Testing & Commissioning of BBT Hanging Materials:

Sl. No.	BCSL Requirements	No of Unit	To be provided by the Tenderer
	Specifications		Specifications
14.	<p>Metallic LADDER CABLE TRAYS for BUS BAR installation(Hanging Materials):</p> <ol style="list-style-type: none"> 1. Configuration: Two I beam side rails with I beam transverse rungs welded to side rails. 2. Rung Spacing: 9 inch 3. Ladder width min. 16 inch. 4. Structural Performance of Each Rung: Capable of supporting a maximum Bus bar load, with a safety factor of 1.5, plus a 90-kg concentrated load. 5. Minimum Usable Load Depth: As per Bus bar requirement. 6. Straight Section Lengths: Required to facilitate tray assembly. 7. Use Cable (Bus bar) guider to protect bus bar. 8. Fittings: Tees, crosses, risers, elbows, PG Hanger Kit and other fittings as indicated, of same materials and finishes as cable tray. 9. COLOR: DARK GRAY inside Red Oxide. 	1 Lot	
15.	<p>Installation, Testing & Commissioning of BBT</p> <ol style="list-style-type: none"> 1. Survey the total length of BBT before installation. As per actual site measurement the BBT length will be fixed. 2. Use Bridge for BBT balancing for 	1 Job	

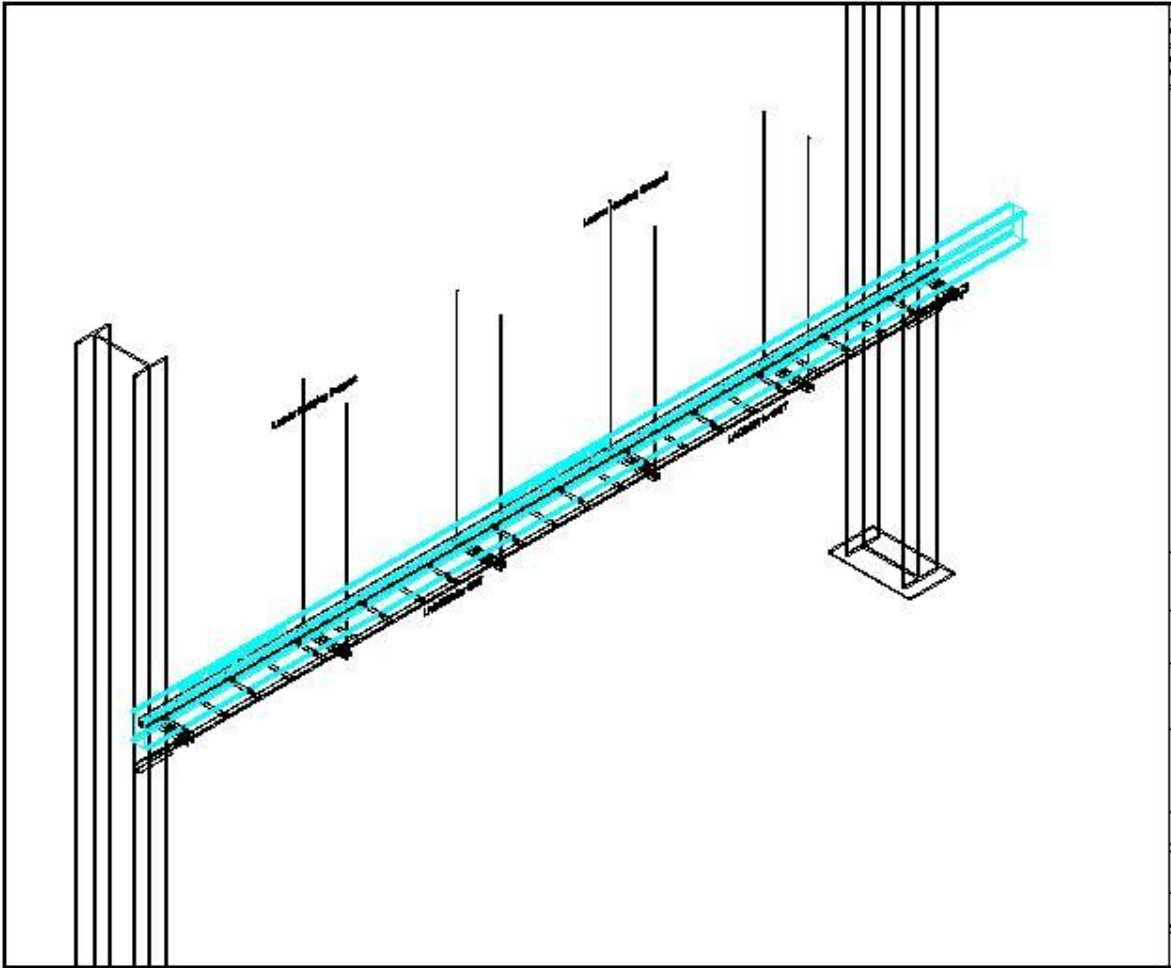
	<p>plant Outside BUS BAR only.</p> <p>Note: Bridge design and specification shall be provided with tender offer.</p> <p>3. Use canopy for BBT extra weather protection for plant Outside BUS BAR Only.</p> <p>Note: Canopy design and specification shall be provided with tender offer.</p> <p>N.B.: Canopy and Bridge will be installed at least 12 feet height from floor level.</p>		
--	--	--	--

Training :

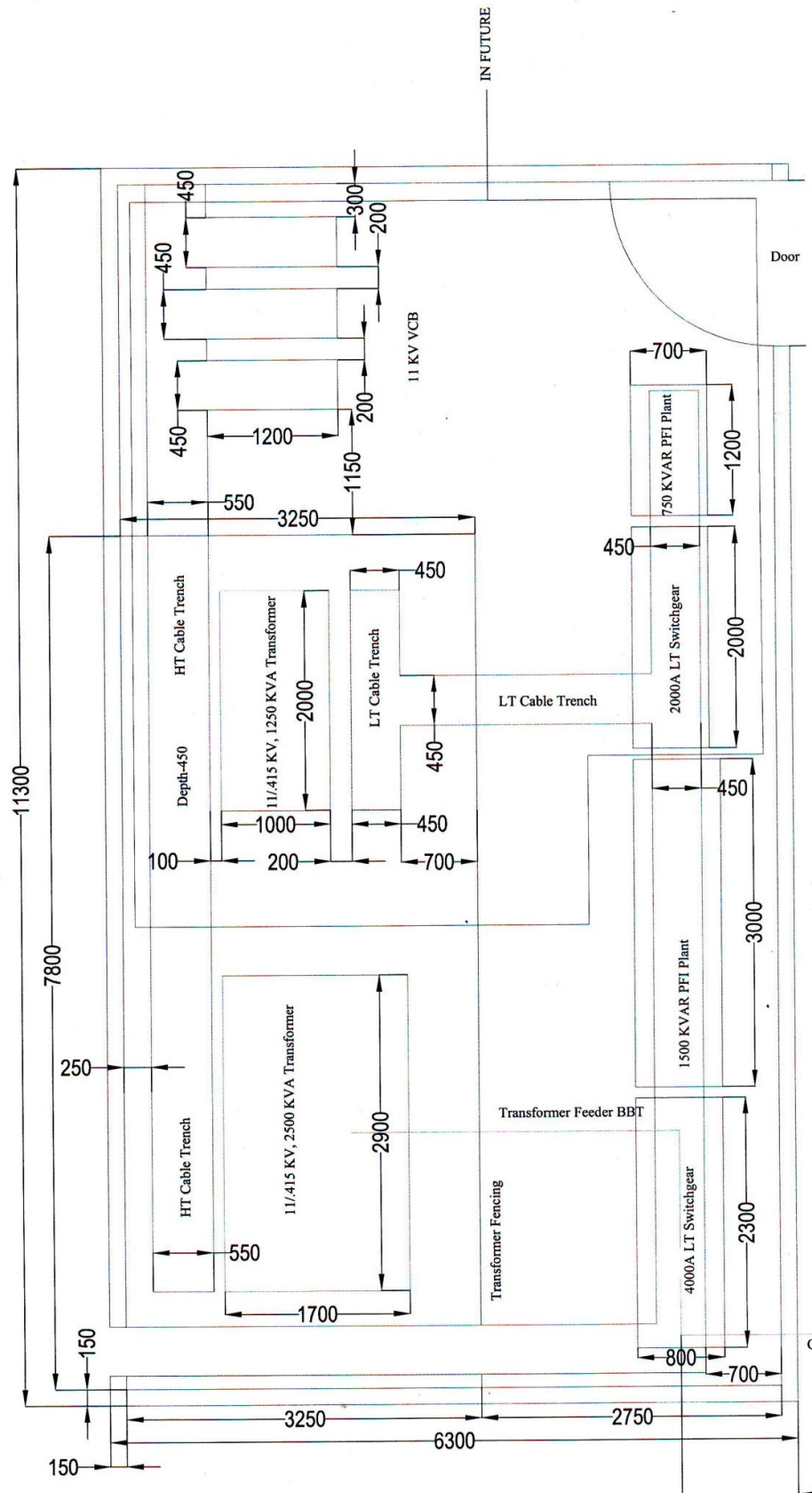
Item No.	Description of Item	Unit	Quantity
16.	<p>On Job Training after Commissioning.</p> <p>The Contractor shall provide On job training for at least three days at purchaser's premises for safe, efficient and economic operation and repair/maintenance of different equipment, wiring details, single line diagram, detail circuit diagram of the Sub-Stations Equipment at free of cost. A program for the training shall be submitted along with the Technical Offer.</p>	1 job	01 (One) Work

44. DRAWINGS:

1. Lay out for BBT hanging Ladder & Support:

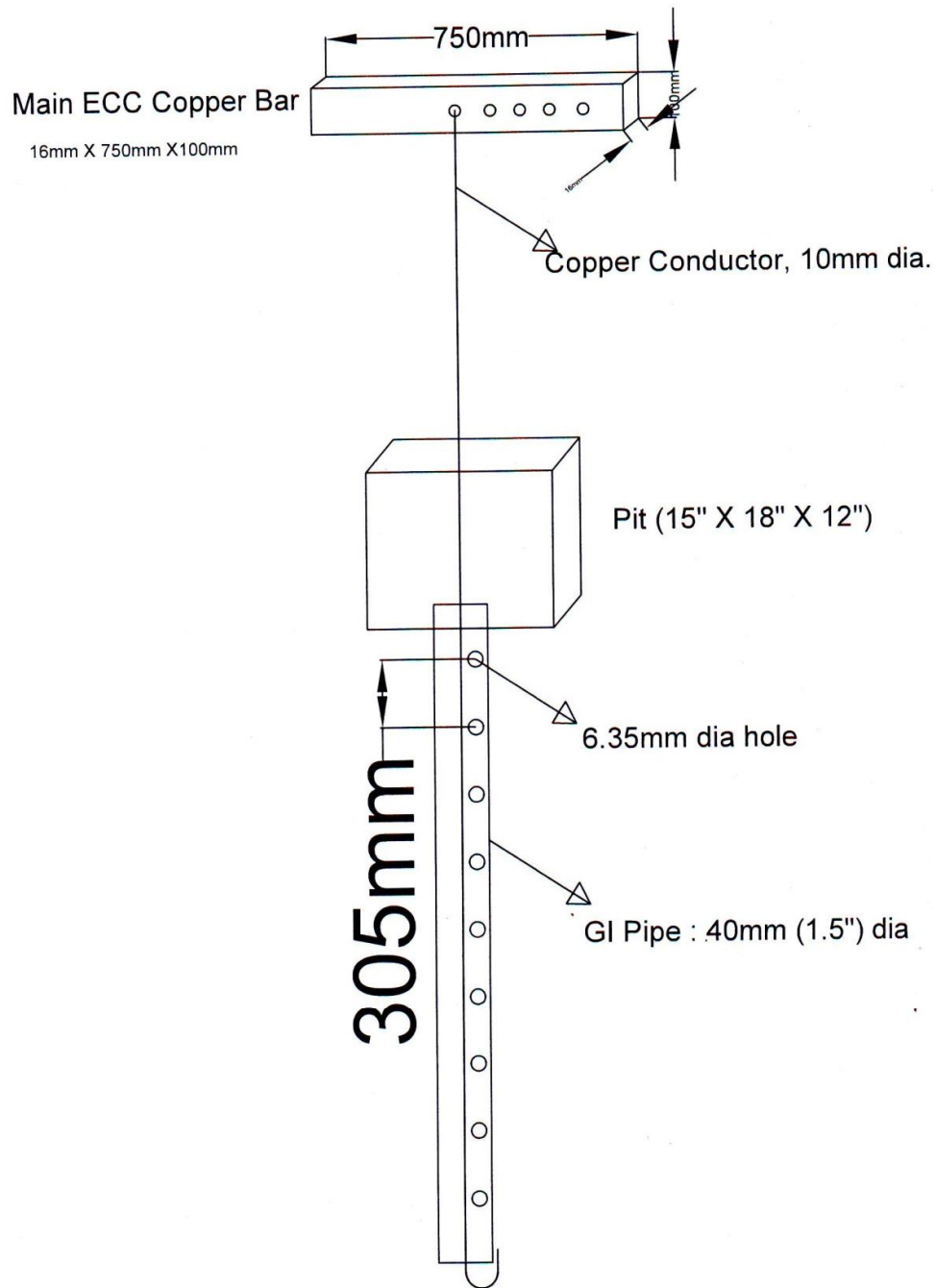


2. Lay out for Sub-station Room:



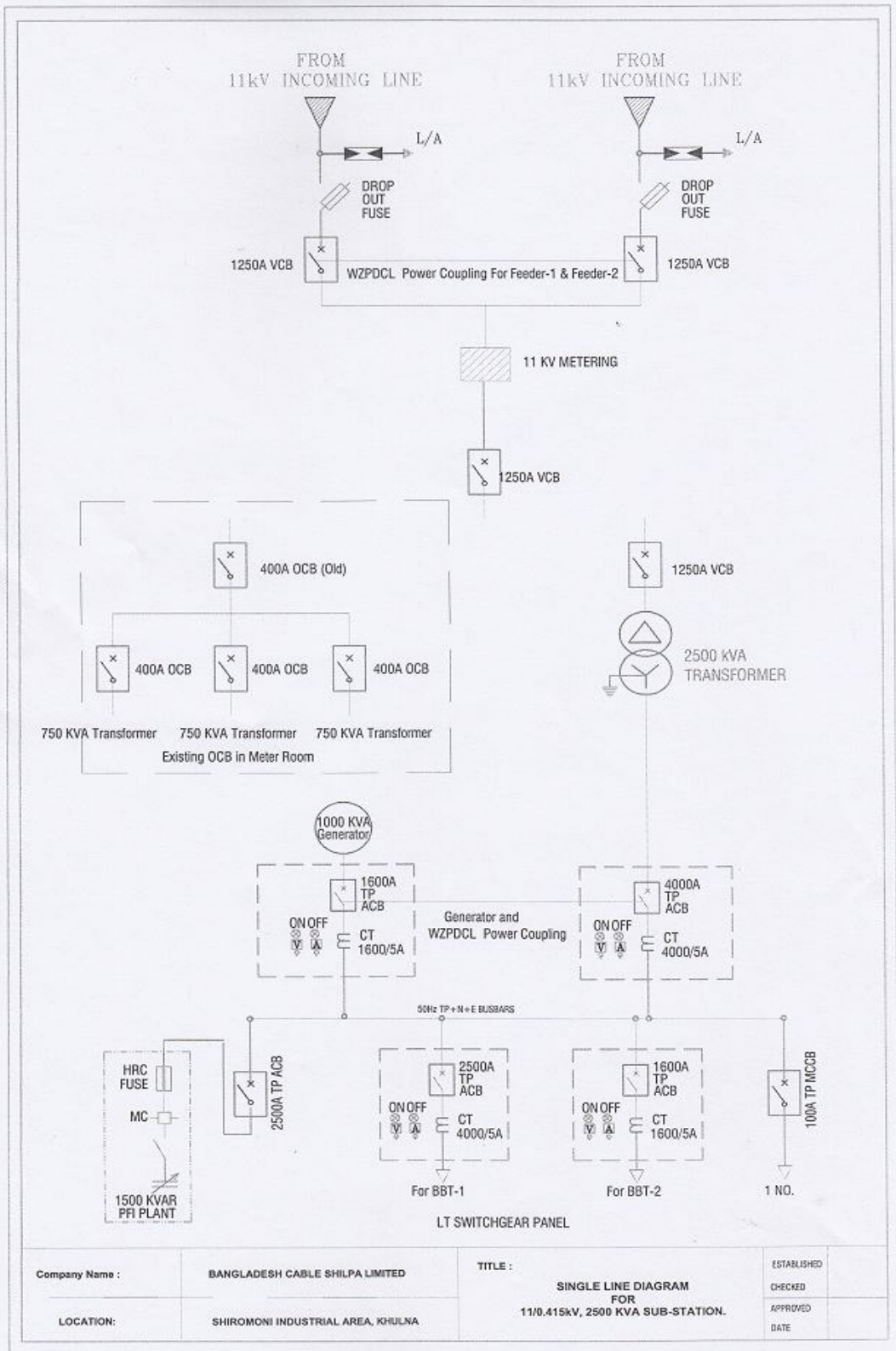
La

3. Lay out for Earthing:

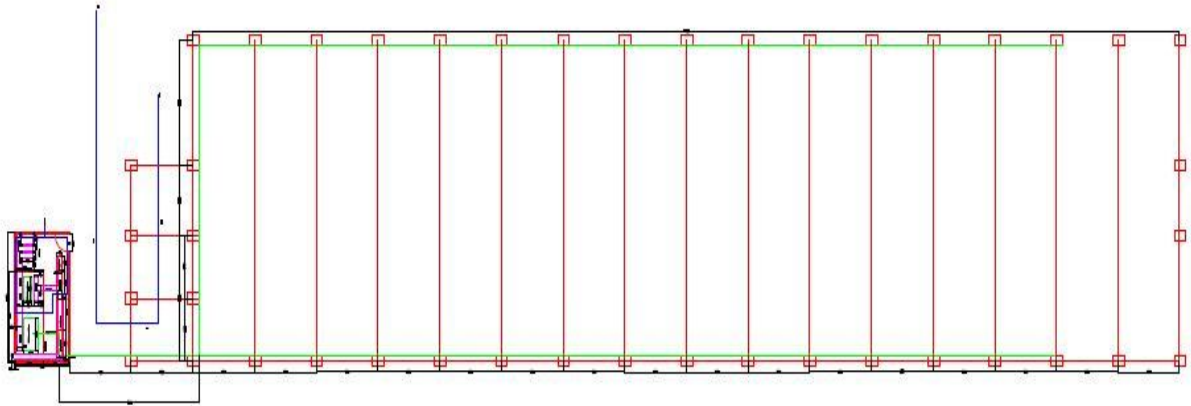


Earthing SLD

4. Single Line Diagram of Sub Station, LT and PFI:



5. Full Plant Lay out:



45. GENERAL TERMS AND CONDITIONS (TECHNICAL):

1. All mechanical and electrical components of Sub-station, PFI and BBT should be of high quality and anti-corrosive.
2. The tenderer shall furnish copies of valid ISO certificate of proposed manufacturer.
3. Bidder shall submit Manufacturer's Printed Catalog describing Specification and technical data of offered equipments.
4. Bidder shall mention the name of Manufacturer, Certificate of origin and port of shipment of offered equipment/Items in case of Import (where applicable).
5. In support of experience on mentioned in clause No. 8(i)., Tenderer shall submit satisfactory performance certificates (SPC) from the end user's letterhead pad contain end-user's full mailing address, email address, website address, fax number and phone/mobile number for the convenience of authentication.
6. In support of experience as per clause No. 8(ii). Tender shall submit completion or performance certificate's from end-user along with work order/Contract agreement as a documentary evidence.
7. Tenderer must mention the brand name of component/Equipment of Sub-station, PFI and BBT in their offer.
8. In case of equivalent brand/spares mentioned in technical specification, which will be offered by bidders will be pre-accepted by BCSL concerned authority.

46. TECHNICAL DOCUMENTS AND PAPER:

All technical documents and papers in English with detailed description of equipments, operation, maintenance procedure, machine lay-out, foundation plan and related documents should be supplied by the manufacturer with mentioning service connection.

- a) Three copies of the all technical detailed documents will have to be supplied in English Version.
- b) Detailed maintenance schedule of all parts & accessories.

47. Scope of works for the tenderer:

The supplier will be liable to supply foundation bolts, nuts, related electric cables & wires, fittings and related accessories and also responsible to erect, install and commission the machine in shortest possible time and the Buyer will provide all necessary assistance to the technical team of the Seller.

ANNEXURE-II

(Specimen)
BANK GUARANTEE IN LIEU OF PAY ORDER / BANK DRAFT / SDR

Bangladesh Cable Shilpa Limited,
 Shiromoni Industrial Area,
 P.O. Sonali Jute Mills, Code No. 9206,
 Khulna.

Guarantee No.
 Dated:
 (For mentioned amount)

Dear Sir,

Whereas Bangladesh Cable Shilpa Limited (BCSL), Shiromoni Industrial Area, P.O. Sonali Jute Mills, Khulna-9206, under tender No.dated inviting tenders for supplies of (described supplies) has agreed to waive the requirement of cash deposit/call deposit of Taka..... as tender security by the bidder for making the supplies in accordance with the terms and conditions of the tender, if the tenderer shall provide the Bank Guarantee for payment for the said amount.

And whereas the tenderer
 M/s.

..... of
has requested us (name of bank) of
 to issue an unconditional guarantee for payment of the amount of Taka
 when called upon.

In consideration of the above, we (name of bank) ofhereby undertake and guarantee due performance of the bidder M/s. ofand unconditionally and absolutely bind ourselves.

1. To make payment without any question whatsoever of Taka..... to Bangladesh Cable Shilpa Limited (BCSL) or as directed by the authority immediately on receipt of demand from M/s. Bangladesh Cable Shilpa Limited, Khulna in writing, in the event of the bidder fails to perform the tender. It is expressly understood that M/s. Bangladesh Cable Shilpa Limited shall be the sole judge for deciding whether the bidder has performed the tender and fulfilled the terms and conditions of the tender.

2. It is specifically stipulated and understood by the Bank that any grant of time or indulgence to the bidder without reference to the bank shall not in any manner tend to absolve the bank from its liability to make payment as stipulated above under this guarantee.

3. The Bank's commitment under this guarantee is limited to an amount of Taka (.....) only.

4. This guarantee will remain valid for 120 days from the date of opening of the Tender up to

Yours faithfully,
 (Seal of Bank)

.....Bank.

Dated:

ANNEXURE- III

(Specimen)

(STAMP)

PERFORMANCE GUARANTEE

Bangladesh Cable Shilpa Limited,
Shiromoni Industrial Area,
P.O. Sonali Jute Mills, Code No. 9206,
Khulna, Bangladesh.

Bank guarantee.....
Dated.....
(For mentioned amount)

Dear Sir,

Whereas Bangladesh Cable Shilpa Limited (BCSL), Shiromoni Industrial Area, P.O. Sonali Jute Mills, Code No. 9206, Khulna hereinafter referred to as the buyer proposed to enter into a contract through a Notification of Award (NOA) No.dated..... hereinafter called the contract with (name of the sellers) of hereinafter referred to as the sellers for the supply of (described supplies) in accordance with the terms and conditions of the contract.

And whereas the sellers have requested us (name of Bank) to issue an unconditional bank guarantee for an amount of Taka.....being 10 (Ten) percent of the Contract value of the offered Goods and related services(name of the Goods and related services).

In consideration aforesaid we, (name and Bank)hereby undertake and guarantee due observance and performance of the terms and conditions of the contract by the sellers and we unconditionally and absolutely bind ourselves:

1. To make payment on demand and without demur and without reference to the seller of Taka to the buyers or as directed by the buyers in writing, if the seller fails to perform the contract or fulfill the terms and conditions thereof.
2. To keep this guarantee valid and in force for 6 months from the date of successful trial-run and extendible for a further period if so required by the buyers.

The guarantee is unconditional and it is expressly understood that the Buyers shall be the sole judge for deciding whether the sellers have performed the contract and fulfilled the terms and conditions thereof.

It is specifically stipulated and understood by us (Name of the Bank) that and grant of time or indulgence to the sellers without reference to us shall not in any manner tend to absolve us from our liability to make payment as stipulated above under this guarantee.

Our commitment under this guarantee is limited to an amount of Taka.....only.

This guarantee will remain valid upto

Yours faithfully,

(Seal of Bank)

Dated:

.....Bank.

THE END